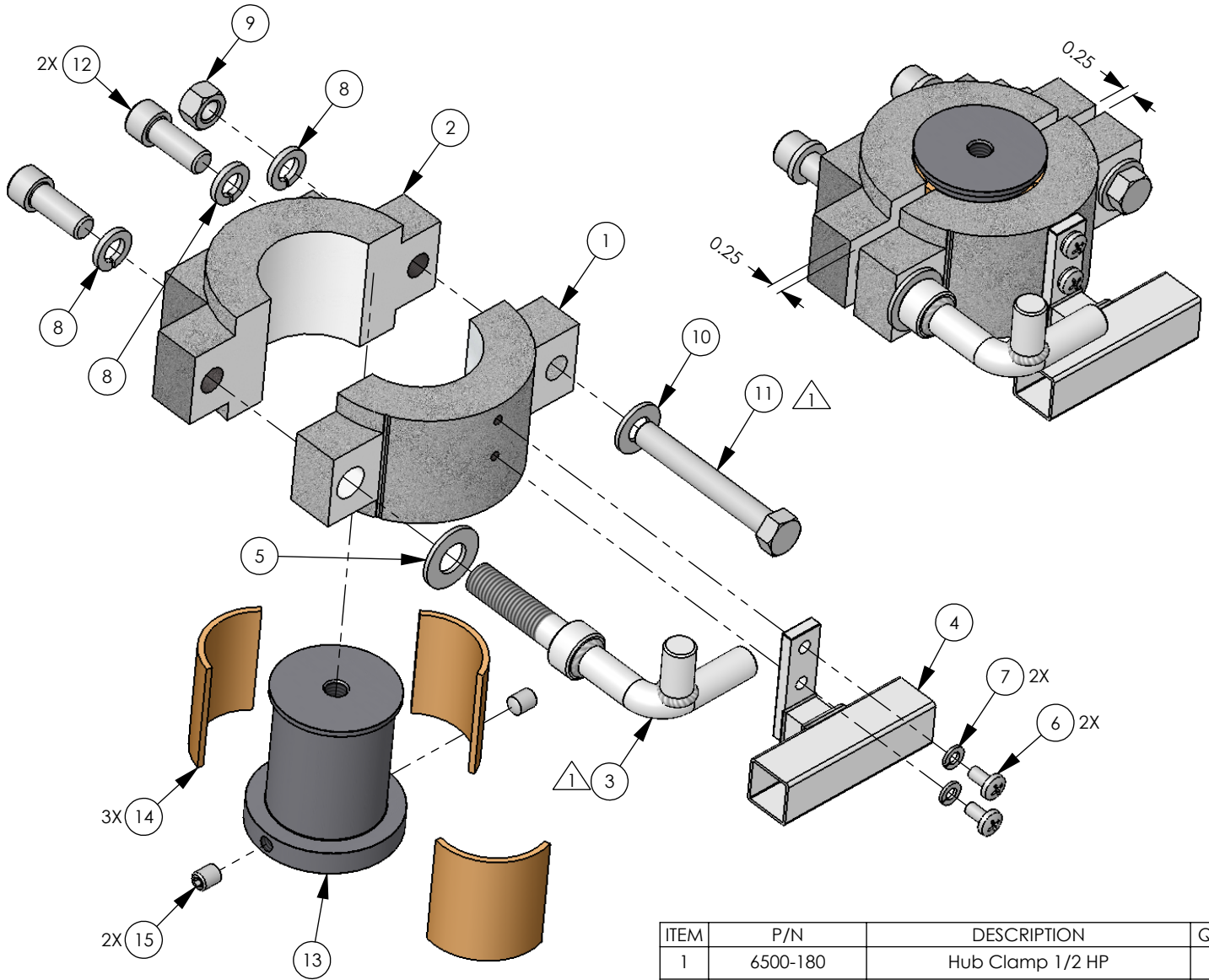


REVISIONS

EO	REV	DESCRIPTION	Drawn	APPR
---	X1	Prototype Release	Sal 08/01/07	D.C. 08/01/07



ITEM	P/N	DESCRIPTION	QTY
1	6500-180	Hub Clamp 1/2 HP	1
2	6500-175	Hub Clamp 1/2 HP Arm	1
3	6500-185	Release Screw Small Hub L	1
4	6500-195	Hub Bar Holder Small	1
5	2620-023	Washer 5/8 SAE	1
6	2905-065	Screw Phillips Head 1/4-20 x 1/2	2
7	2620-109	Washer Split Lock 1/4	2
8	2620-050	Lockwasher 1/2	3
9	2620-320	Nut Center Lock 1/2-13	1
10	2620-021	Washer 1/2 SAE	1
11	2615-086	Bolt Hex Head 1/2-13 x 3	1
12	2615-829	Bolt Hex Soc RH 1/2-13 x 1 1/2	2
13	6500-160	Hub Small 1/2HP	1
14	6500-145	Bushing Brass 1.125 R	3
15	2616-099	Set Screw 3/8-16 x 1/2	2

**PROPRIETARY AND CONFIDENTIAL**

THE INFORMATION CONTAINED IN THIS DRAWING IS THE SOLE PROPERTY OF Door King. ANY REPRODUCTION IN PART OR AS A WHOLE WITHOUT THE WRITTEN PERMISSION OF Door King IS PROHIBITED.

	NAME	DATE
DRAWN	Sal	08/01/07
CHECKED		
COMMENTS:		



Hub Assy-  
1/2HP

6500-400

REV. X1

Torque to 50lbs.

Notes: Unless Otherwise Specified.

SIZE DWG. NO.  
**A** 6500-400  
Scale: None