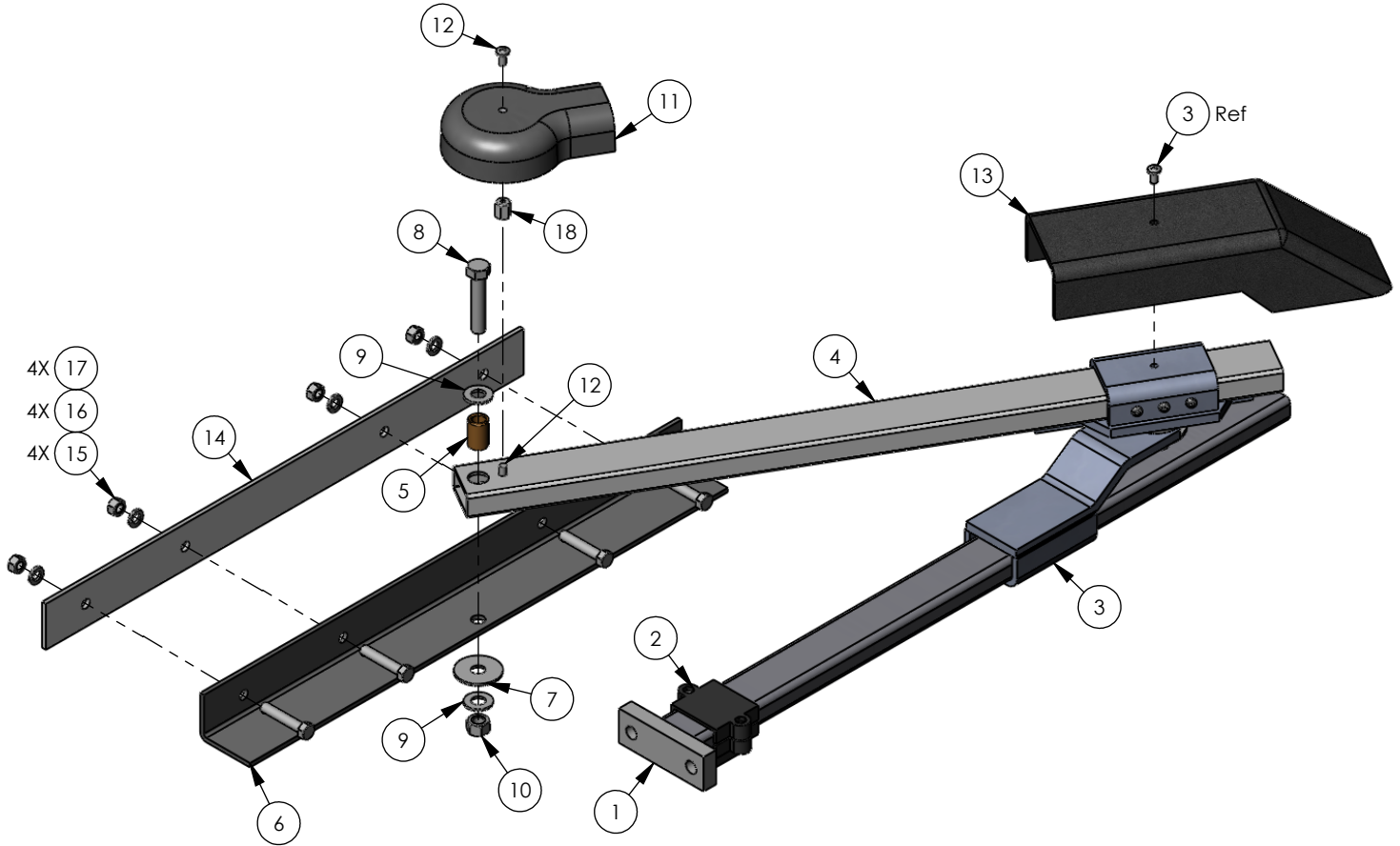


REVISIONS

| EO  | REV | DESCRIPTION  | Drawn           | APPR             |
|-----|-----|--|-----------------|------------------|
| --- | B   | Added Bracket & Hardware Items 14-17 (For Picket Mount)      | Sal<br>02/27/08 | D.C.<br>02/27/08 |
| --- | C   | Revised Items 4 & 5 Was: 6500-260 & 6500-265. Added Item 18. | Sal<br>07/02/08 | D.C.<br>07/07/08 |



| ITEM | P/N      | DESCRIPTION                      | QTY |
|------|----------|----------------------------------|-----|
| 1    | 6500-255 | Arm Connecting Rod Lower         | 1   |
| 2    | 6500-420 | Sub Assy-Magnet Assy Arm         | 1   |
| 3    | 2600-720 | Sub Assy-Crank Arm Joint         | 1   |
| 4    | 2600-714 | Connecting Rod 1" x 2" x 60"     | 1   |
| 5    | 2600-054 | Spacer 3/4OD x 1/2ID x1 1/8L     | 1   |
| 6    | 6500-270 | Bracket L                        | 1   |
| 7    | 2620-030 | Washer 1/2 USS                   | 1   |
| 8    | 2615-084 | Bolt Hex Head 1/2-13 x 2 1/2     | 1   |
| 9    | 2620-021 | Washer 1/2 SAE                   | 2   |
| 10   | 2620-320 | Nut Center Lock 1/2-13           | 1   |
| 11   | 6500-225 | Cover-Pivot Gate Bracket         | 1   |
| 12   | 2905-065 | Screw Phillips Head 1/4-20 x 1/2 | 2   |
| 13   | 6500-220 | Cover-Elbow Connector Arm        | 1   |
| 14   | 6500-272 | Bracket Flat Gate Mount          | 1   |
| 15   | 2615-054 | Bolt Hex Head 3/8-16 x 2         | 4   |
| 16   | 2620-047 | Lockwasher 3/8                   | 4   |
| 17   | 2620-405 | Nut Hex 3/8-16                   | 4   |
| 18   | 2600-054 | Nut Spacer 1/4-20 x 5/8          | 1   |

**PROPRIETARY AND CONFIDENTIAL**  
 THE INFORMATION CONTAINED IN THIS DRAWING IS THE SOLE PROPERTY OF Door King. ANY REPRODUCTION IN PART OR AS A WHOLE WITHOUT THE WRITTEN PERMISSION OF Door King IS PROHIBITED.

|           | NAME | DATE     |
|-----------|------|----------|
| DRAWN     | Sal  | 08/29/07 |
| CHECKED   |      |          |
| COMMENTS: |      |          |



Main Arm Assy

|             |          |              |
|-------------|----------|--------------|
| SIZE        | DWG. NO. | REV          |
| A           | 6500-430 | C            |
| Scale: None |          | SHEET 1 OF 1 |

Notes: Unless Otherwise Specified.