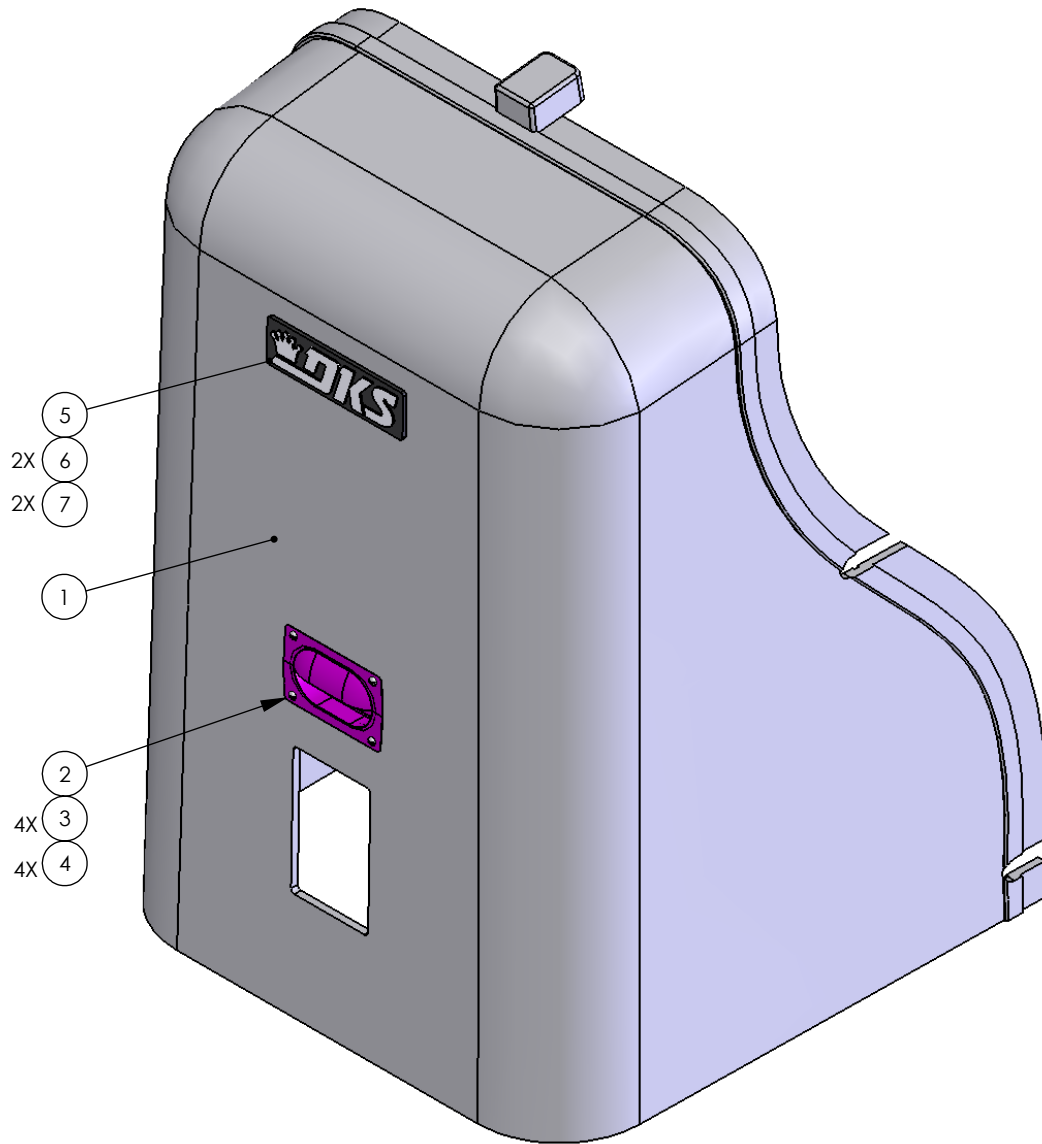


REVISIONS

EO	REV	DESCRIPTION	Drawn	APPR
---	A	Added Item 7.	Sal 09/17/08	D.C. 09/17/08



ITEM	PART NUMBER	DESCRIPTION	QTY
1	6500-235	Cover Operator Front w/ Handle	1
2	2601-095	Flush Pull Injection Mold	1
3	2616-430	Screw 6-32x1/2" Oval Head	4
4	2902-003	Nut Nylon Lock 8-32	4
5	2600-732	Nameplate Plastic DKS	1
6	2802-040	Washer Push on Clamp	2
7	1897-052	Gasket-Support	2

PROPRIETARY AND CONFIDENTIAL
 THE INFORMATION CONTAINED IN THIS DRAWING IS THE SOLE PROPERTY OF Door King. ANY REPRODUCTION IN PART OR AS A WHOLE WITHOUT THE WRITTEN PERMISSION OF Door King IS PROHIBITED.

	NAME	DATE
DRAWN	Sal	11/26/07
CHECKED		
COMMENTS:		



**Cover Assy-
Front w/ Handle**

SIZE A	DWG. NO. 6500-450	REV A
Scale: None	SHEET 1 OF 1	

Notes: Unless Otherwise Specified.