

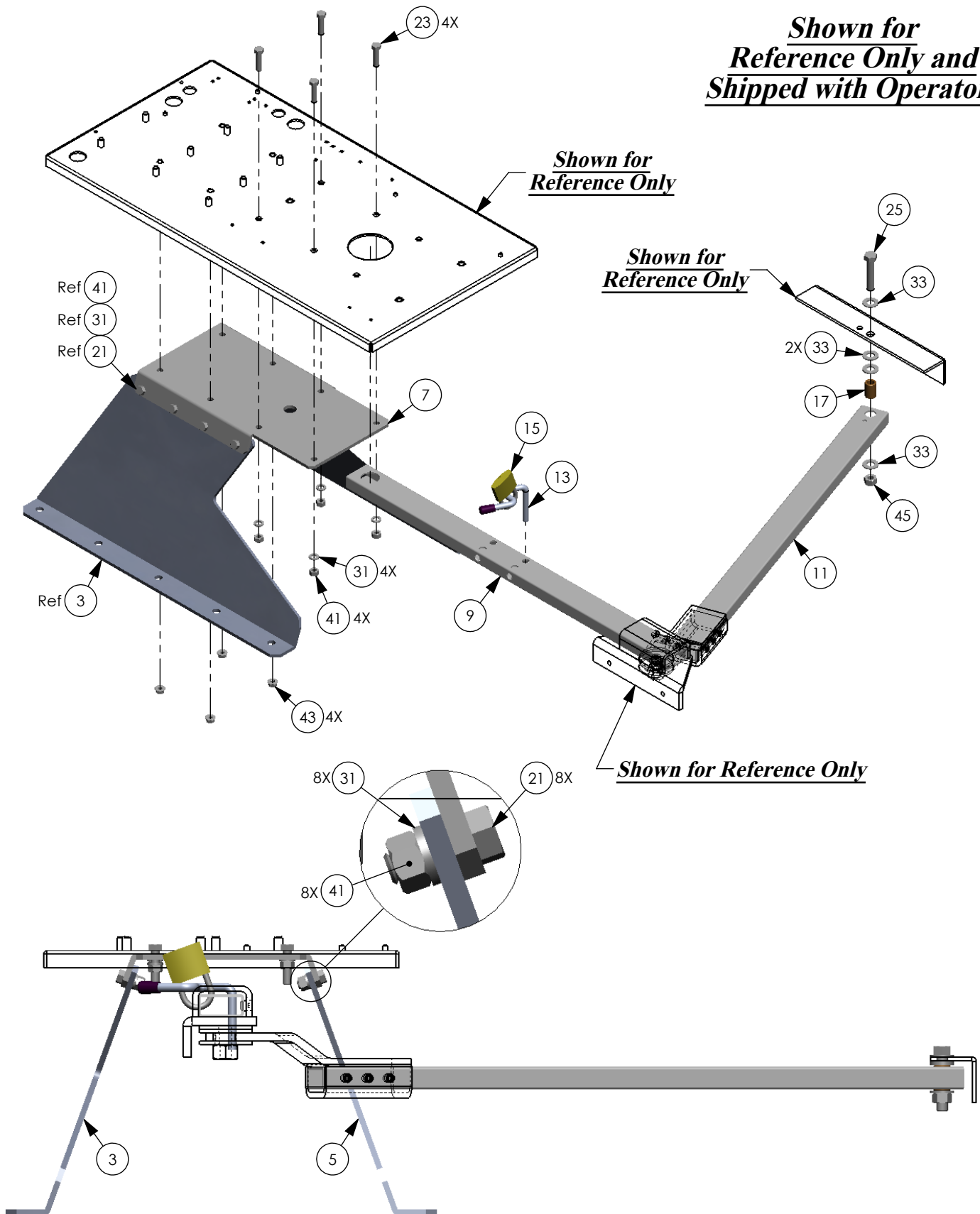
EO	REV	DESCRIPTION	Drawn	APPR
---	D	Revised & Redrawn on SolidWorks: Added IPB; Items 9 & 11 Was: 2600-670 & 2600-634; Deleted:1514-020 (Qty) 1.	Sal 07/16/08	D.C. 07/16/08

***Shown for
Reference Only and
Shipped with Operators***

***Shown for
Reference Only***

***Shown for
Reference Only***

Shown for Reference Only



1. See attached reference sheet for BOM;
Reference Movex 2600-264 Rev D.

Notes: Unless Otherwise Specified.

PROPRIETARY AND CONFIDENTIAL
THE INFORMATION CONTAINED IN THIS
DRAWING IS THE SOLE PROPERTY OF
Door King. ANY REPRODUCTION IN
PART OR AS A WHOLE
WITHOUT THE WRITTEN PERMISSION OF
Door King IS PROHIBITED.

	NAME	DATE
DRAWN	Sal	07/16/08
CHECKED		
COMMENTS:		



IPB-Pad Mount, 2600-264
6300 Swing Gate Operator

SIZE	DWG. NO.	REV.
A	6300-864	D
Scale: None		SHEET 1 OF 2

Item	Part Number	Qty	UM	Description	REV
1	6300-864	1	EA	IPB-Pad Mount 6300 Swing Gate Operator	D
3	2600-762	1	EA	Base Left Leg Plated Surf 630	
5	2600-761	1	EA	Base Right Leg Plated Surf 630	
7	2600-760	1	EA	Base Center Plated Surface 630	
9	2600-716	1	EA	Crank Arm Model 610 605 Blk	
11	2600-714	1	EA	Connecting Rod 1" x 2" x 60"	
13	2600-179	1	EA	Release Handle 6050,6100,6300	
15	2600-767	1	EA	Lock Padlock Brass B745C	
17	2600-054	1	EA	Spacer 3/4OD x 1/2ID x1 1/8L	
21	2615-052	8	EA	Bolt Hex Head 3/8-16 x 1	
23	2615-055	4	EA	Bolt Hex Head 3/8-16 x 1 1/2	
25	2615-084	1	EA	Bolt Hex Head 1/2-13 x 2 1/2	
31	2620-047	12	EA	Lockwasher 3/8"	
33	2620-021	4	EA	Washer 1/2 " SAE	
41	2620-405	12	EA	Nut Hex 3/8-16	
43	2620-411	4	EA	Nut Hex Flange Lock 5/16-18	
45	2620-320	1	EA	Nut Center Lock 1/2-13	