

DOLXFD1000B

Waterproof Access Control/Reader



INTRODUCTION

The DOLXFD1000B is a single- entry multi-function Access Controller with integrated keypad and card reader. It is designed and manufactured to perform in a wide range of indoor, outdoor, and harsh environments.

The DOLXFD1000B supports up to 1000 users in multiple access configurations (Card, PIN, or Card + PIN). The built in card reader supports HID® 125KHz frequency cards.

The relay can operate in Pulse Mode (suitable for access control) or Toggle Mode (suitable for arming/disarming alarms, switching lights, machines....etc)

The DOLXFD1000B offers advanced programming features like: Duress PIN/card; Block enrollment; Wiegand 26~37 bits interface. These features make it an ideal choice for door access not only for small shops and domestic households but also for commercial and industrial applications such as factories, warehouses, laboratories, banks and prisons.

Features

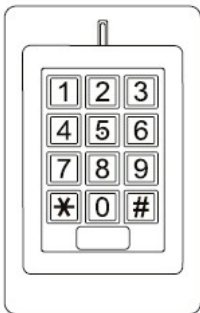
- Waterproof(IP66)
- Vandal Resistant Enclosure
- One Programmable Relay Output
- Stand Alone or Pass-Through Operation
- 1000 Users (Card/PIN/Card+PIN)
- 10 Panic Card/PIN Codes
- Card Block enrollment
- Integrated Alarm Buzzer & Output
- Low power consumption (55mA)
- Anti-Tamper Alarm
- Backlit Keypad
- Multi-color LED status display
- Latch Mode to hold door or gate open
- 12-24V DC/ 12-18V AC Power input

Specifications:

User Capacity Normal User Panic User	1010 Cards/PINS 1000 10
Operating Voltage Idle Current Active Current	12~24V DC/ 12-18V AC 55mA 80mA

Keypad PIN length	12 Key (3*4) 4-6 digits
Proximity Card Reader Radio Technology Read Range	HID® 125KHz Industry Standard Proximity Card 3-6cm
Wiring Connections	Electric Lock, Exit Button, DOTL, External Alarm, Wiegand
Relay Adjustable Relay Output Time Adjustable Alarm Output Time Lock Output Load Alarm Output Load	ONE (NO, NC, COM) 1-99 Seconds (5 seconds default) 0-99 minutes (1 minute default) 5 Amp Maximum 3 Amp Maximum
Environment Operating Temperature Operating Humidity	Meets IP66 -30°C~60°C, or -22°F ~ 140°F 10% ~ 90% Non-Condensing
Physical Surface Finish Dimensions Unit Weight Shipping Weight	Zinc-Alloy Enclosure Powder Coat L: 4 ¾" * W: 3" * H: 1" (inches) 21 oz. 24 ¾ oz.

Package Contents:



DOLXFD1000B
Access Controller



Diode IN4004 (For relay
 circuit protection)



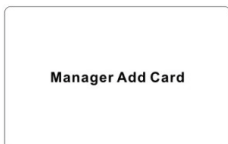
Self Tapping Screws



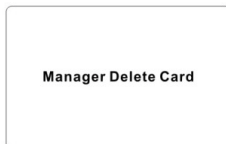
Wall Anchors



Screw Driver



Manager Add Card



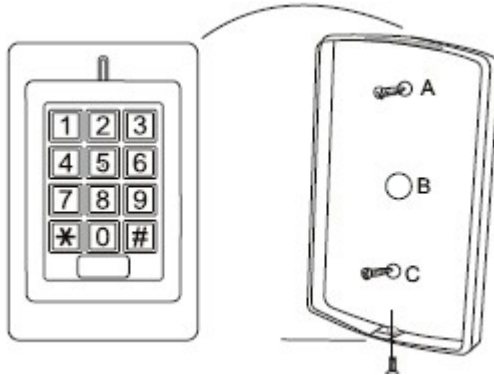
Manager Delete Card

Manager Cards

INSTALLATION

Install

- Remove the back cover from the unit
- Drill 2 holes(A,C) on the wall for the screws and one hole for the cable
- Knock the supplied rubber bungs to the screw holes(A,C)
- Fix the back cover firmly on the wall with 4 flat head screws
- Thread the cable through the cable hole (B)
- Attach the unit to the back cover.



Wiring

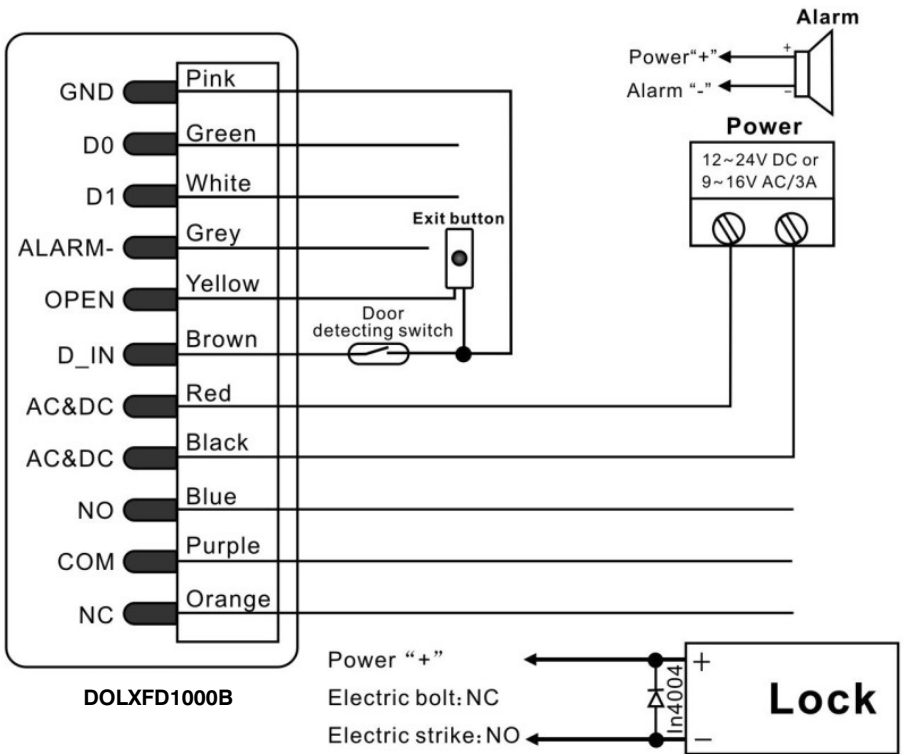
Wire Insulation Color	Function	Notes
Basic Standalone Wiring		
Red	AC&DC	12~24 Volts AC/DC Regulated Power Input
Black	AC&DC	12~24 Volts AC/DC Regulated Power Input
Pink	GND	Negative Pole
Blue	NO	Normally Open Relay 1 Output
Purple	COM	Common Connection for Relay 1 Output
Orange	NC	Normally closed Relay 1 Output
Yellow	OPEN	Request to Exit Button

Advanced Input and Output Features

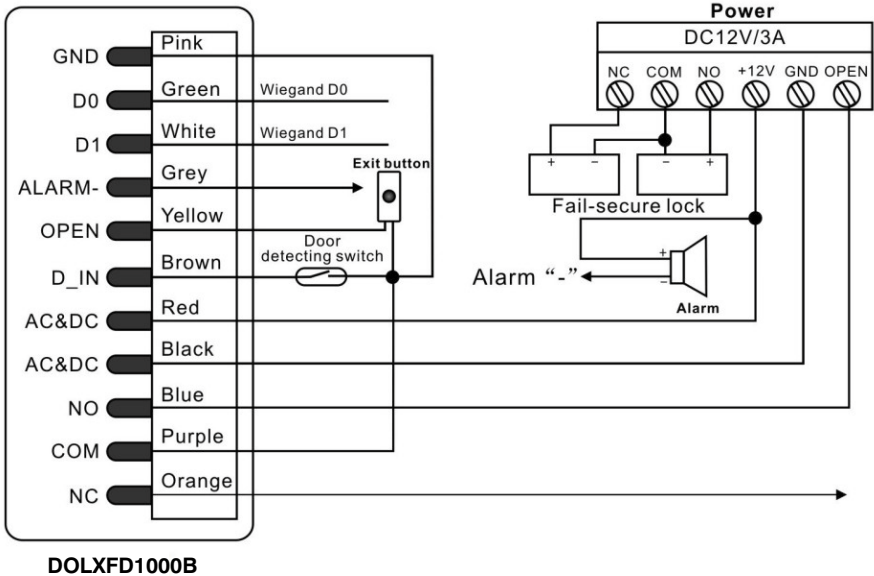
Green	D0	Wiegand Input/Output D0
White	D1	Wiegand Input/Output D1
Grey	Alarm -	Alarm Negative
Brown	D_IN	Door status detecting

CONNECTION DIAGRAM

Common Power Supply



Access Control Power Supply



To Reset to Factory Default

To reset to factory default, power off, press *, hold it and power on, release it until hear two beeps and the LED shines in orange, then read any two HID cards, the LED will turn in red, means reset to factory default setting successfully. Of the two HID cards read, the first one becomes the Manager Add Card, the second one becomes the Manager Delete Card.

NOTE: Reset to factory default, the user’s information is still retained.

Anti Tamper Alarm

The DOLXFD1000B uses a LDR (light dependent resistor) as an anti tamper alarm. If the keypad is removed from the cover then the tamper alarm will operate.

Sound and Light Indication

Operation Status	Red Light	Green Light	Yellow Light	Buzzer
Power on	Bright	-	-	Short Ring
Stand by	Bright	-	-	-

Press keypad	-	-	-	Short Ring
Operation successful	-	Bright	-	Short Ring
Operation failed	-	-	-	3 Short Rings
Enter into programming mode	Bright	-	-	Short Ring
In the programming mode	-	-	Bright	-
Exit from the programming mode	Bright	-	-	Short Ring
Open the door	-	Bright	-	Short Ring
Alarm	Bright	-	-	Alarm

PROGRAMMING COMMANDS

PROGRAMMING MODE (IMPORTANT!)	
All of the following commands require the keypad to be in programming mode.	
Make sure that the light is blinking red before proceeding. If not, press * until it blinks red	
* , MASTERCODE, # Default Master Code: 666666	The keypad's light should be a solid red indicating that it is in Programming Mode.
*	To exit Programming mode. The light will be blinking red to indicate that Programming mode has ended

CHANGING MASTER CODE	
0, New Code, #, New Code, #	Master code needs to be 6 digits long
*	Press * again to exit programming mode

COMMANDS TO ADD PIN/CARDS

CARD OR PIN MODE (default)

All of the following commands are for CARD OR PIN MODE

30#	Card or PIN mode
*	Press * again to exit programming mode, Otherwise continue programming

ADD A PIN USER

1, User ID, #, PIN, #	Repeat this step to add more Users User Number Range: 1-1000 PIN Range: 4 – 6 digits PIN: 1234 is reserved and cannot be used
*	Press * again to exit programming mode

ADD MANAGER CARD

1, Read Card, #	Repeat this step if necessary. User ID will automatically be assigned
OR	
1, User ID, #, Read Card, #	Repeat this step if necessary. User ID may be defined after this step.
*	Press * again to exit programming mode

ADD CARDS (BLOCK ENROLLMENT)

5, User ID, #, The number of the first card, #, Quantity of cards to enroll, #	Cards must be consecutive and card quantity is between 1 - 1000. Use this command to add specific card numbers.

CARD OR PIN MODE (continued)

DELETE PIN USER	
2, User ID, #	Repeat this step if necessary
*	Press * again to exit programming mode

DELETE CARD	
2, Read card, #	Repeat this step if necessary
*	Press * again to exit programming mode

DELETE CARD BY USER ID	
2, User ID, #	Repeat this step if necessary
*	Press * again to exit programming mode

DELETE CARD BY CARD NUMBER	
2, Card Number #	Repeat this step if necessary
*	Press * again to exit programming mode

CARD AND PIN MODE

All of the following commands are for CARD AND PIN MODE

31#	Card and PIN mode
*	Press * again to exit programming mode, Otherwise continue programming

ADD CARD AND PIN USER	
1, Read Card, # OR 1, User ID, #, Read Card, # OR 5, User ID, #, The number of the first card, #, Quantity of cards to enroll, #	Repeat this step if necessary. User ID will automatically be assigned Repeat this step if necessary. User ID may be defined after this step. Cards must be consecutive and card quantity is between 1 1000. Use this command to add specific card numbers.
*, *	Exit programming mode. Make sure that the light is blinking red before proceeding. If not, press * until it blinks red
*, Read card, 1234, #, PIN, #, PIN, #	The PIN can be 4-6 digits. 1234 is reserved.

DELETE CARD AND PIN USER	
2, Read card, # OR 2, User ID, # OR 2, Card Number #	Simply delete the card
*	Press * again to exit programming mode

CARD ONLY MODE

All of the following commands are for CARD ONLY

32#	Card only mode
*	Press * again to exit programming mode, Otherwise continue programming

ADD CARD	
1, Read Card, #	Repeat this step if necessary. User ID will automatically be assigned
OR	
1, User ID, #, Read Card, #	Repeat this step if necessary. User ID may be defined after this step.
OR	
5, User ID, #, The number of the first card, #, Quantity of cards to enroll, #	Cards must be consecutive and card quantity is between 1 - 1000. Use this command to add specific card numbers.
*	Press * again to exit programming mode

DELETE CARD USER	
2, Read card, #	Repeat this step if necessary
OR	
2, User ID, #	Repeat this step if necessary
OR	
2, Card Number #	Repeat this step if necessary
*	Press * again to exit programming mode

GENERAL COMMANDS

DELETE ALL USERS	
2, 0000, #	
*	Press * again to exit programming mode

USING MANAGER ADD/DELETE CARDS	
Read Manager Add Card, Read Card, Read Manager Add Card	Cards may be added continuously before reading the Manager Add Card a second time.
Read Manager Delete Card, Read Card, Read Manager Delete Card	Cards may be added continuously before reading the Manager Delete Card a second time.

HOW TO UNLOCK DOOR IN DIFFERENT MODES	
PIN, #	For PIN OR CARD
Read Card	For PIN OR CARD, and CARD ONLY
Read Card, PIN, #	For PIN AND CARD

PULSE MODE	
4, Seconds, #	Seconds = 1-99. Default is 5 seconds.
*	Press * again to exit programming mode

TOGGLE MODE	
4, 0, #	
*	Press * again to exit programming mode

KEYPAD BACKLIGHT	
74, # OR 75, #	Disable keypad's backlight Enable keypad's backlight (Default)
*	Press * again to exit programming mode

RED LED	
76, # OR 77, #	Disable keypad's red LED Enable keypad's red LED (Default)
*	Press * again to exit programming mode

SOUND	
78, # OR 79, #	Disable the sound Enable the sound
*	Press * again to exit programming mode

OPEN DOOR ALARM	With a door detecting switch, a door open for longer than 1 minute will sound an alarm. If the door is forced open, the alarm will activate for a defined 0-3 minutes.
Disable: 60, # OR Enable: 61, #	Default
*	Press * again to exit programming mode

ALARM OUTPUT TIME	Use this if OPEN DOOR ALARM is enabled
9, Minutes, #	Minutes: 0-3. Default is 1 minute.
*	Press * again to exit programming mode

KEYPAD LOCKOUT	If 10 invalid cards/PINs in a 10 minute window are presented, the keypad will lock for 10 minutes or sound activate the alarm depending on the settings
Disable: 70, # OR Lock keypad: 71, # OR Alarm activation: 72, #	Default
*	Press * again to exit programming mode

ADD DURESS PIN	Entering a Duress code will open the door and activate alarm.
8, User ID, #, PIN, #	User ID: 1001 - 1010
*	Press * again to exit programming mode

DELETE DURESS PIN	
2, User ID, #	
*	Press * again to exit programming mode

ADD DURESS CARD	
8, User ID, #, Read card, #	
*	Press * again to exit programming mode

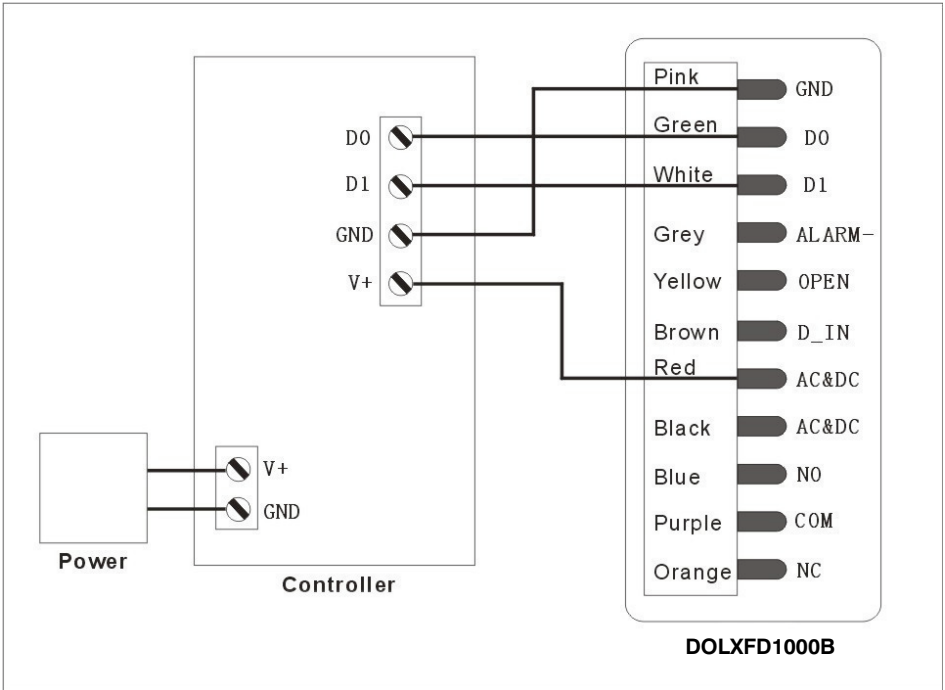
DELETE DURESS CARD	
2, User ID, #	
*	Press * again to exit programming mode

WIEGAND MODE	
9, Bit, #	Bit: 26 - 37. Default: 26

PASS-THROUGH OPERATION

DOLXFD1000B operating as a Wiegand Output Reader

In this mode the DOLXFD1000B supports a Wiegand 26~37 bit output so the Wiegand data lines can be connected to any controller which supports a Wiegand 26~37 bit input.



Transmission Format:

1) Keypad Transmission: The Reader will transmit the PIN data when it receives the last key (#) press after PIN code.

Format: PIN Code (any 4~8 digits between 0000~999999)

Example: PIN code: 111111

Press 111111 #, then the output format will be: 0000111111

(Note: if press an invalid PIN (any 4~6 digits), the data will be also transmitted.)

2) Proximity Card Transmission

The Reader will transmit the card data when it reads the Card.

Format: Card Number

(Note: no matter the card is valid or invalid, the data will be transmitted)

DOLXFD1000B operating as a Controller

DOLXFD1000B supports a Wiegand 26~37 bit input so an external Wiegand device with a 26~37 bit output can be connected to the Wiegand input terminals on the DOLXFD1000B. Either an ID card reader (125 KHz) or an IC card reader (13.56MHz) can be connected to the DOLXFD1000B. Cards are required to be added at the external reader, except where an external HID reader is used, in this case cards can be added at either reader or controller. See figure 2.

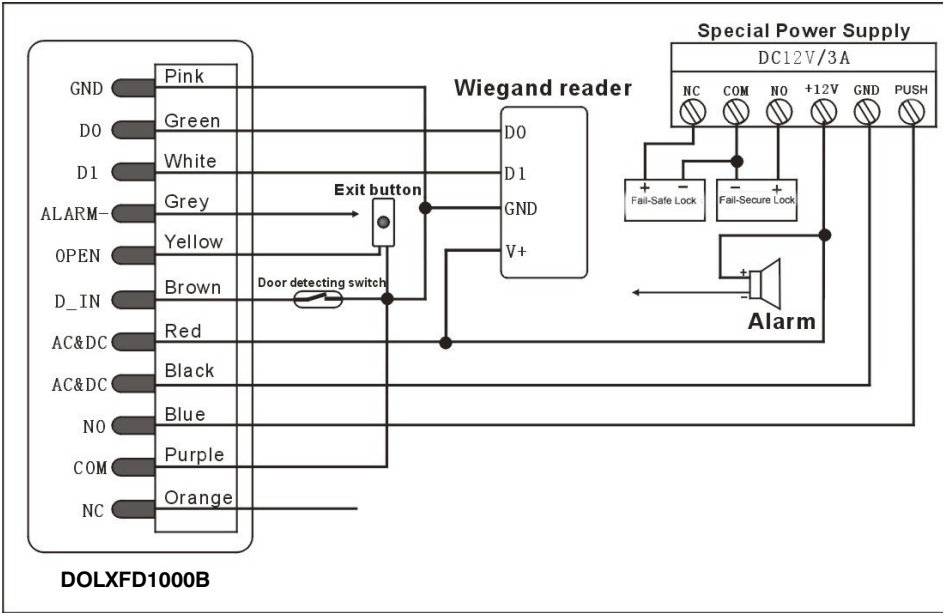


Figure 2

DOLXFD1000B Simplified Instruction

Function Description	Operation
Enter the Programming Mode	* Master Code # <i>(666666 is the default factory master code)</i>
Change the Master Code	0 New Master Code # Repeat New Master Code # <i>(code: 6 digits)</i>
Add Card User	1 Read Card #
Add PIN User	1 User ID # PIN # <i>The ID number is any number between 0 ~ 999. The PIN is any 4-6 digits between 0000 ~ 999999</i>
Delete User	2 Read Card # 2 User ID #
Exit from the programming mode	*
How to be granted access.	
Card User	Read card
PIN User	Enter PIN #

TRANSMITTER SOLUTIONS WARRANTY

The warranty period of Transmitter Solutions keypad is twenty-four (24) months. This warranty shall begin on the date the keypad is manufactured. During the warranty period, the product will be repaired or replaced (at the sole discretion of Transmitter Solutions) if the product does not operate correctly due to a defective component. This warranty does not extend to (a) the keypad case, which can be damaged by conditions outside the control of Transmitter Solutions, or (b) battery life of the keypad. This warranty is further limited by the following disclaimer of warranty and liability:

EXCEPT AS SET FORTH ABOVE, TRANSMITTER SOLUTIONS MAKES NO WARRANTIES REGARDING THE GOODS, EXPRESS OR IMPLIED, INCLUDING WARRANTY OF MERCHANTABILITY OR WARRANTY OF FITNESS FOR A PARTICULAR PURPOSE. BUYER MAKES NO RELIANCE ON ANY REPRESENTATION OF TRANSMITTER SOLUTIONS, EXPRESS OR IMPLIED, WITH REGARD TO THE GOODS AND ACCEPTS THEM "AS-IS/WHERE-IS". TRANSMITTER SOLUTIONS SELLS THE GOODS TO BUYER ON CONDITION THAT TRANSMITTER SOLUTIONS WILL HAVE NO LIABILITY OF ANY KIND AS A RESULT OF THE SALE. BUYER AGREES THAT TRANSMITTER SOLUTIONS SHALL HAVE NO LIABILITY FOR DAMAGES OF ANY KIND, WHETHER DIRECT, INCIDENTAL OR CONSEQUENTIAL DAMAGES, INCLUDING INJURIES TO PERSONS OR PROPERTY, TO BUYER, ITS EMPLOYEES OR AGENTS, AS A RESULT OF THE SALE. BUYER ALSO AGREES TO HOLD TRANSMITTER SOLUTIONS HARMLESS FROM ANY CLAIMS BUYER, OR ANY THIRD PARTY, MAY HAVE AS A RESULT OF BUYER'S USE OR DISPOSAL OF THE GOODS. BUYER HAS READ THIS DISCLAIMER AND AGREES WITH ITS TERMS IN CONSIDERATION OF RECEIVING THE GOODS.



7380 S. Eastern Avenue, Suite 124-320 • Las Vegas, NV 89123
(866) 975-0101 * (866) 975-0404 Fax
www.transmittersolutions.com