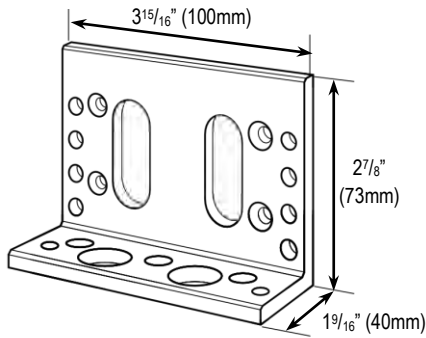


# ENFORCER®

## E-941E-1K2/LQ

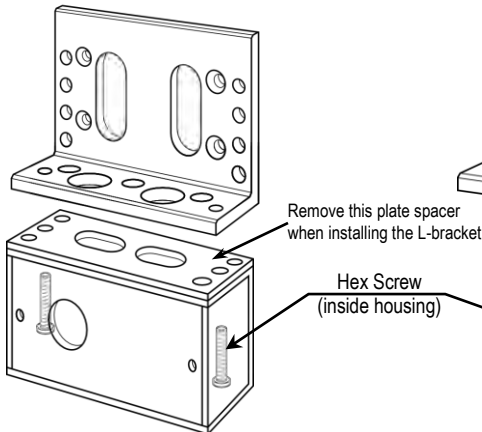
L-Bracket for  
E-941EC2-N1Q / E-941EC2-P1Q

### Dimensions:



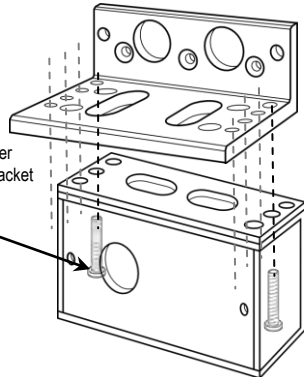
### Installation:

#### Method A



#### Method B

Choose your preferred spacing by using any of the 3 mounting holes.



**SECO-LARM® U.S.A., Inc.**

16842 Millikan Ave, Irvine, CA 92606  
Tel: 949-261-2999 / 800-662-0800  
Fax: 949-261-7326

Website: [www.seco-larm.com](http://www.seco-larm.com)

Email: [sales@seco-larm.com](mailto:sales@seco-larm.com)

Order Part # 764-044%

MI-E-941E-1K2-LQ\_1303.docx