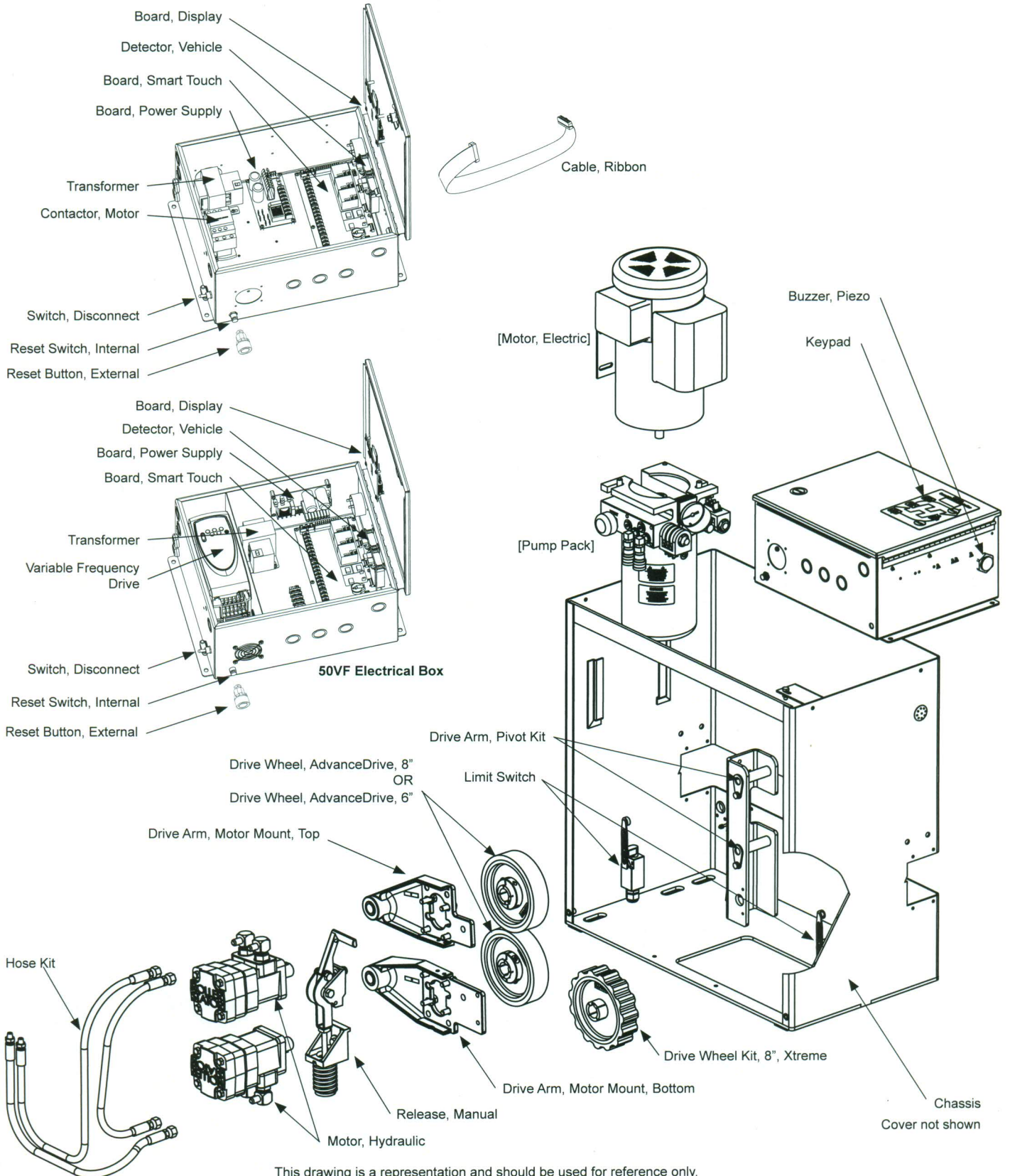
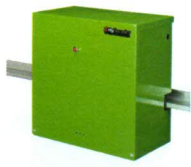




Chassis, Drive & Electrical, 15, 30F, 40, 50VF2/3, 80 (SS, EX1.7, E, X3, X1)



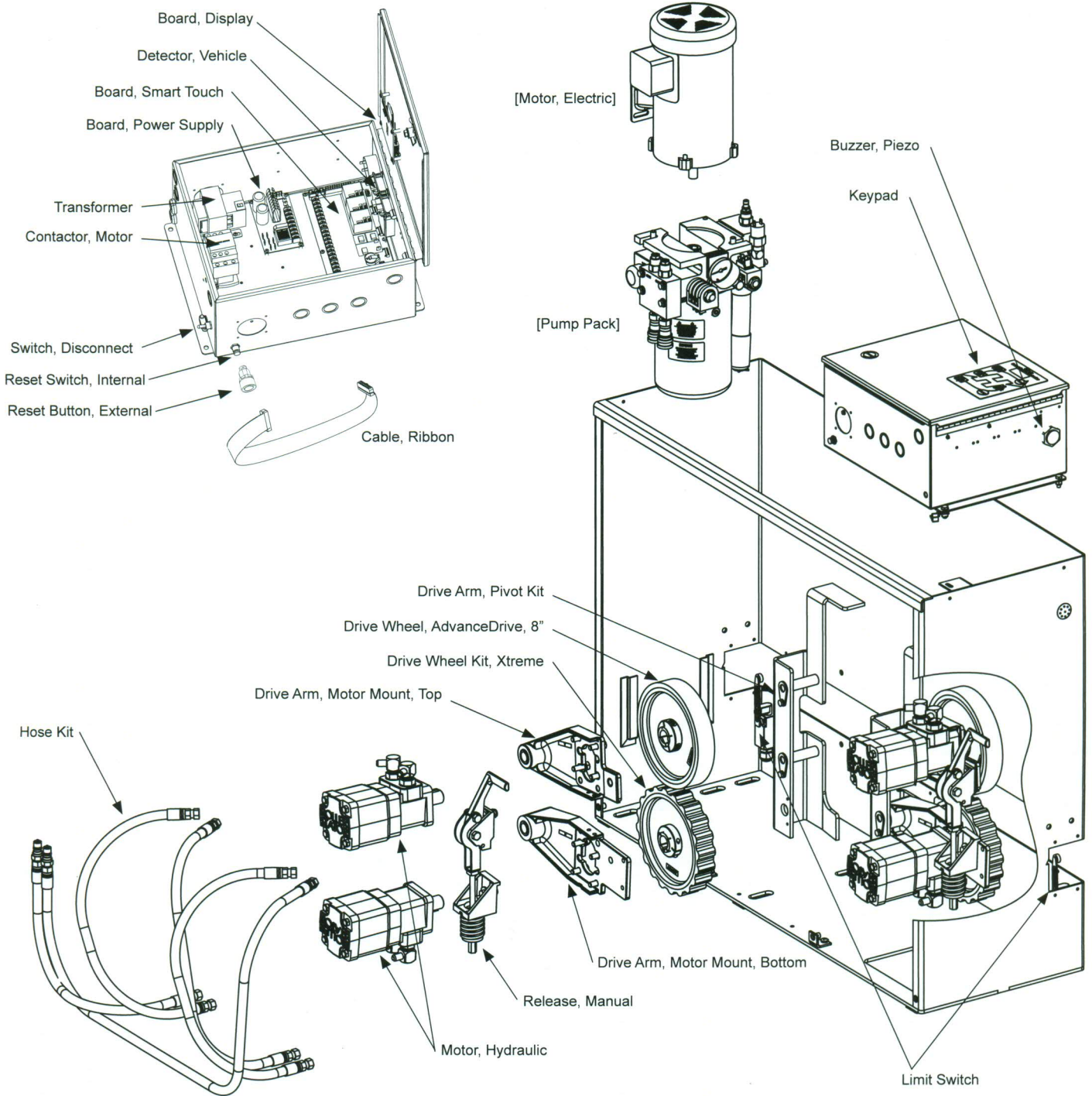


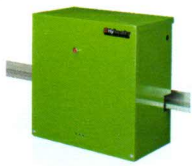
Chassis, Drive & Electrical, 15, 30F, 40, 50VF2/3, 80 (SS, EX1.7, E, X2/3, X1)

Part Name	Part Number	SlideDriver 15, 30F, 40, 50VF2/3, 80 Models (current)
Board, Display	MX000678	all
Board, Power Supply, AC	MX000487	all AC
Board, Power Supply, DC	MX000369	all DC
Board, Smart Touch	MX000585-0	all
Buzzer, Piezo	MX001036	all
Cable, Ribbon, LCD	MX000046	all
Chassis, Replacement, SlideDriver	MX000496	all standard
Contactora, Motor	MX000485	all AC except 50VF2/3 (X2/3)
Cover, Correctional, SlideDriver	MX000456	correctional facilities models
Cover, Standard, SlideDriver	MX000455	all standard
Detector, Vehicle, HY-5A	MX000041	all
Drive Arm, Motor Mount, Bottom	MX000386	all
Drive Arm, Motor Mount, Top	MX000387	all
Drive Arm, Pivot Kit	MX001105	all
Drive Wheel Kit, Xtreme, 8"	MX002598	80 (X1) after 5/27/2012 or 8" retrofit
Drive Wheel, AdvanceDrive, 6"	MX002707	10, 30F, 40 (SS, EX1.7, E), replacement for MX000689
Drive Wheel, AdvanceDrive, Replacement, 6"	MX001827	10, 30F, 40 (SS, EX1.7, E), replacement wheel for AdvanceDrive hub
Drive Wheel, AdvanceDrive, 8"	MX3132	40F, 80, 50VF2/3 (X2/3), replacement for MX000690
Drive Wheel, AdvanceDrive, Replacement, 8"	MX002064	40F, 80, 50VF2/3 (X2/3), replacement wheel for AdvanceDrive hub
Hose Fittings Kit, SlideDriver M	MX001574	all Modular (333), see parts listing for important ordering information
Hose Kit, 3 Hoses, SlideDriver	MX001129	all except Modular (333)
Hose Kit, 3/8", 22" SlideDriver M	MX001732	all Modular (333)
Hose, 3/8", HydraLift, SlideDriver M	MX001113	all Modular (333), see parts listing for important ordering information
Keypad, Smart Touch Controller	MX001756	all
Limit Switch Assembly, Slowdown	MX000608	50VF2/3 (X2/3)
Limit Switch, SlideDriver	MX000672	all
Motor, Hydraulic, RS-10", Standard	MX001149	10, 40, 30F, 40F, 50VF2/3 (SS, E, EX1.7, EX, X2/3)
Motor, Hydraulic, RS-24", X1, 444	MX001143	80 (X1)
Release, Manual, Toggle Assembly	MX001103	all
Reset Button, External	MX001216	all
Reset Switch, Internal	MX002124	all
Switch, Disconnect	MX000715	all
Transformer, 24VAC Output, 75VA, 50/60Hz	MX001249	575VAC only
Transformer, 24VAC Output, 75VA, 60Hz	MX000486	all 60Hz AC except 575VAC
Variable Frequency Drive Unit (VFD), 208-230VAC, 2 FPS	MX000722	50VF2 (X2), 2 FPS, 208-230VAC 50/60Hz 1Ø/3Ø
Variable Frequency Drive Unit (VFD), 208-230VAC, 3 FPS	MX000723	50VF3 (X3), 3 FPS, 208-230VAC 50/60Hz 1Ø/3Ø
Variable Frequency Drive Unit (VFD), 208-230VAC, 50VF2-EFO	MX002176	50VF2-EFO (X2EFO), 208-230VAC 50/60Hz 1Ø/3Ø
Variable Frequency Drive Unit (VFD), 380-460VAC, 2 FPS	MX000724	50VF2 (X2), 2 FPS, 380-460VAC 50/60Hz 3Ø
Variable Frequency Drive Unit (VFD), 380-460VAC, 3 FPS	MX000725	50VF3 (X3), 3 FPS, 380-460VAC 50/60Hz 3Ø
Variable Frequency Drive Unit (VFD), 380-460VAC, 50VF2-EFO	MX002177	50VF2-EFO (X2EFO), 380-460VAC 50/60Hz 3Ø
Variable Frequency Drive Unit (VFD), MODBUS, 208-230VAC, 50/60Hz, 1Ø/3Ø	MX002733	50VF2/3 (X2/3), 208-230VAC 50/60Hz 1Ø/3Ø
Variable Frequency Drive Unit (VFD), MODBUS, 380-460VAC, 50/60Hz, 3Ø	MX002734	50VF2/3 (X2/3), 380-460VAC 50/60Hz 3Ø



Chassis, Drive & Electrical, 200 (444 XS)



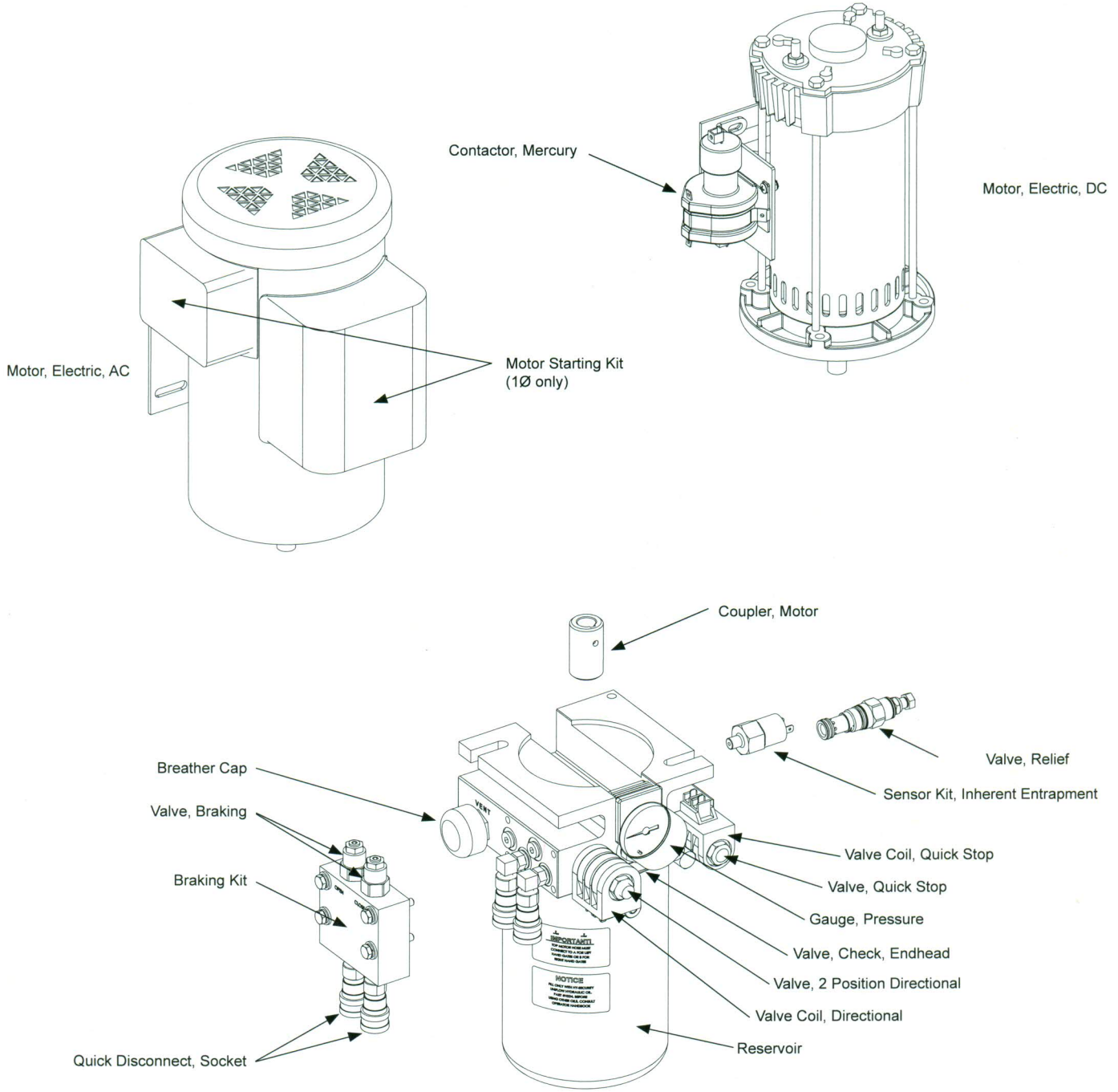


Chassis, Drive & Electrical, 200 (444 XS)

<i>Part Name</i>	<i>Part Number</i>	<i>SlideDriver 200 Models (current)</i>
Board, Display	MX000678	all
Board, Power Supply, AC	MX000487	all AC
Board, Power Supply, DC	MX000369	all DC
Board, Smart Touch	MX000585-0	all
Buzzer, Piezo	MX001036	all
Cable, Ribbon, LCD	MX000046	all
Contact, Motor	MX000485	all
Detector, Vehicle, HY-5A	MX000041	all
Drive Arm, Motor Mount, Bottom	MX000386	all
Drive Arm, Motor Mount, Top	MX000387	all
Drive Arm, Pivot Kit	MX001105	all
Drive Wheel, AdvanceDrive, 8"	MX3132	all, replacement for MX000690
Drive Wheel, AdvanceDrive, Replacement, 8"	MX002064	all, replacement wheel for AdvanceDrive hub
Drive Wheel Kit, Xtreme, 8"	MX002598	200 (444) after 6/1/2012 or retrofit
Hose Kit, 5 Hoses, SlideDriver 200	MX001731	all
Keypad, Smart Touch Controller	MX001756	all
Limit Switch, SlideDriver	MX000672	all
Motor, Hydraulic, RS-24", X1, 444	MX001143	all
Release, Manual, Toggle Assembly	MX001103	all
Reset Button, External	MX001216	all
Reset Switch, Internal	MX002124	all
Switch, Disconnect	MX000715	all
Transformer, 24VAC Output, 75VA, 50/60Hz	MX001249	575VAC and 50 Hz only
Transformer, 24VAC Output, 75VA, 60Hz	MX000486	all 60Hz AC except 575VAC



Pump Pack 15, 40, 50VF2/3, 50VF3 (SS, E, X3)





Pump Pack 15, 40, 50VF2/3 (SS, E, X2/3)

Part Name	Part Number	SlideDriver 15, 40, 50VF2/3 Models (current)
Braking Kit, SlideDriver	MX000137	all except 15 (SS, DS)
Braking Kit, SlideDriver M	MX001576	all Modular (M)
Breather Cap	MX000686	all
Contactora, Mercury	MX001098	all DC
Coupler, Motor, 5/8" Shaft, 6T	MX002054	all*
Coupler, Motor, 5/8" Shaft, 9T	MX001650	all*
Gauge, Pressure, 2000 PSI, Kit	MX001106	all
Motor Starting Kit, Baldor	MX001308	all AC 60Hz 1Ø with Baldor motor
Motor Starting Kit, Leeson	MX002065	all AC 60Hz 1Ø with Leeson motor
Motor, Electric, 24VDC, 2.0 HP	MX001647	15 UPS, 40 UPS, (DS, DE) 24VDC
Motor, Electric, 60Hz, 1.0 HP, 1Ø, 3450 RPM, 115/208/230VAC	MX001635	15, 40 (SS, E) 115/208/230VAC 60Hz 1Ø
Motor, Electric, 60Hz, 1.0 HP, 3Ø, 3450 RPM, 208/230/460VAC	MX001636	15, 40 (SS, E) 208/230/460VAC 60Hz 3Ø
Motor, Electric, 60Hz, 1.0 HP, 3Ø, 3450 RPM, 575VAC	MX001667	15, 40 (SS, E) 575VAC
Motor, Electric, 60Hz, 2.0 HP, 3Ø, 3450 RPM, 208/230/460VAC	MX001638	50VF2/3 (X2/3)
Pump Pack, SlideDriver 10	MX001943	15, 15 UPS (SS, DS), 60Hz and DC
Pump Pack, SlideDriver 40	MX001944	40, 40 UPS (E, DE), 60Hz and DC
Pump Pack, SlideDriver 50VF2/50VF3, 50/60Hz	MX001977	50VF2/3 (X2/3)
Quick Disconnect, Socket, 1/8"	MX000169	all
Reservoir, 4 Qt	MX000161	all
Sensor Kit, Inherent Entrapment	MX000091	all
Valve Coil, Directional, 24VDC	MX000184	all
Valve Coil, Quick Stop, 24VDC	MX000185	all except 50VF2/3 (X2/3)
Valve, 2 Position Directional	MX000172	all
Valve, Braking	MX000657	all except 15 (SS, DS)
Valve, Check, Endhead Main	MX000171	all
Valve, Quick Stop	MX000173	all
Valve, Relief, 1500 PSI	MX000658	all except 50VF2/3 (X2/3)
Valve, Relief, 3000 PSI	MX000174	50VF2/3 (X2/3)

Pump pack parts usage equivalent models:

15 applies to 15-M (333 MS)

40 applies to 40-C (222 CE), 40-M (333 E), 40-CM (333 CE)

15 UPS applies to 15-M UPS (333 DS)

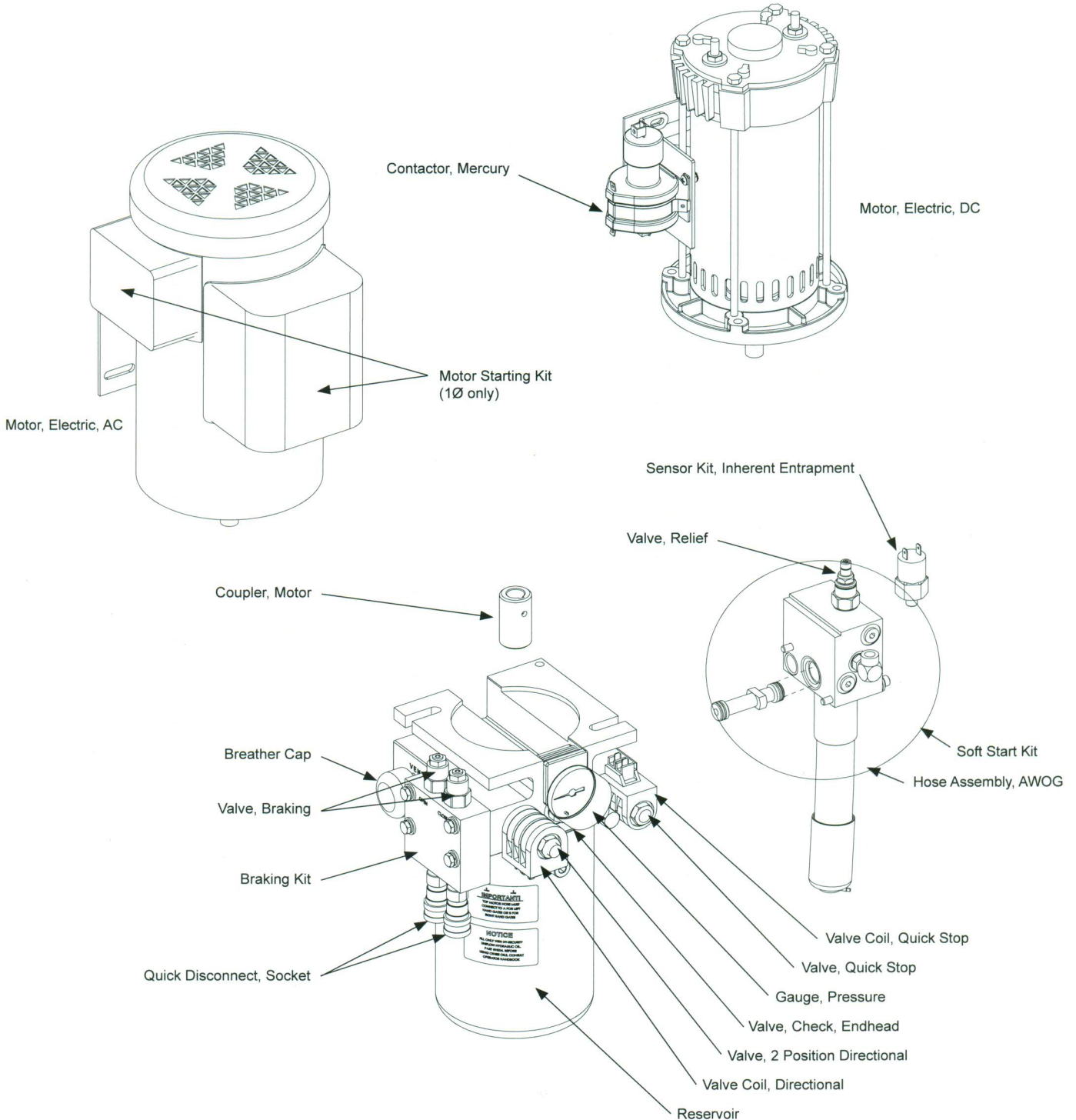
40 UPS applies to 40-C UPS (222 DCE), 40-M UPS (333 DE), 40-CM UPS (333 DCE)

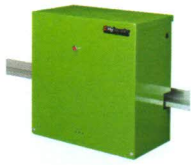
Call for 50Hz motors, 575VAC 2.0 HP motor, and pump packs.

* Use MX002054 for operators manufactured after 6/1/2009, MX001650 for operators with pump packs manufactured before 6/1/2009. See website for Pump Pack Changes Tech Bulletin.



Pump Pack 30F, 80, 200 (EX1.7, X1, 444 XS)





Pump Pack 30F, 80, 200 (EX1.7, X1, 444 XS)

Part Name	Part Number	SlideDriver 30F, 80, 200 Models (current)
Braking Kit, SlideDriver	MX000137	all
Braking Kit, SlideDriver 200	MX000143	200 (444)
Braking Kit, SlideDriver M	MX001576	all Modular (M)
Breather Cap	MX000686	all
Contactors, Mercury	MX001098	all DC
Coupler, Motor, 5/8" Shaft, 6T	MX002054	all*
Coupler, Motor, 5/8" Shaft, 9T	MX001650	all*
Gauge, Pressure, 2000 PSI, Kit	MX001106	all
Hose Assembly, AWOG, Face Down	MX000618	30F, 40F, 80, 200 (EX1.7, EX, X1, 444)
Motor Starting Kit, Baldor	MX001308	all AC 60Hz 1Ø with Baldor motor
Motor Starting Kit, Leeson	MX002065	all AC 60Hz 1Ø with Leeson motor
Motor, Electric, 24VDC, 2.0 HP	MX001647	30F UPS, 40F UPS, 80 UPS (DX1.7, DX, DX1) 24VDC
Motor, Electric, 24VDC, 4.0 HP	MX001648	200 UPS (444DX) 24VDC
Motor, Electric, 60Hz, 2.0 HP, 1Ø, 3450 RPM, 208/230VAC	MX001637	30F, 40F, 80 (EX1.7, EX, X1) 208/230VAC 60Hz 1Ø
Motor, Electric, 60Hz, 2.0 HP, 3Ø, 3450 RPM, 208/230/460VAC	MX001638	30F, 40F, 80 (EX1.7, EX, X1) 208/230/460VAC 60Hz 3Ø
Motor, Electric, 60Hz, 5.0 HP, 1Ø, 3450 RPM, 208/230VAC	MX001725	200 (444XS) 208/230VAC 60Hz 1Ø
Motor, Electric, 60Hz, 5.0 HP, 3Ø, 3450 RPM, 208/230/460VAC	MX001639	200 (444XS) 208/230/460VAC 60Hz 3Ø
Pump Pack, SlideDriver 200	MX001981	200, 200UPS (444XS, 444DX)
Pump Pack, SlideDriver 30F/40F/80	MX001979	30F, 40F, 80, 30F UPS, 40F UPS, 80 UPS (EX1.7, EX, X1, DX1.7, DX, DX1)
Quick Disconnect, Socket, 1/4"	MX000201	200 (444)
Quick Disconnect, Socket, 1/8"	MX000169	all except 200 (444)
Reservoir, 4 Qt	MX000161	all
Sensor Kit, Inherent Entrapment	MX000091	all
Soft Start Kit, Face Down AWOG	MX001276	30F, 40F, 80 (EX1.7, EX, X1)
Soft Start Kit, Face Down AWOG, SlideDriver 200	MX001752	200 (444)
Valve Coil, Directional, 24VDC	MX000184	all
Valve Coil, Quick Stop, 24VDC	MX000185	all
Valve, 2 Position Directional	MX000172	all
Valve, Braking	MX000657	all
Valve, Check, Endhead Main	MX000171	all
Valve, Quick Stop	MX000173	all
Valve, Relief, Soft Start Operators	MX000659	all except 200 (444)
Valve, Relief, Soft Start Operators, High Pressure	MX000480	200 (444)

Pump pack parts usage equivalent models:

30F applies to 30F-C (222 CX1.7), 30F-M (333 EX1.7), 30F-CM (333 CX1.7)

40F applies to 40F-C (222 CX), 40F-M (333 EX), and 40F-CM (333 CX)

80 applies to 80-C (222 CX1), 80-M (333 X1), and 80-CM (333 CX1)

30F UPS applies to 30F-C UPS (222 DCX1.7), 30F-M UPS (333 DX1.7), 30F-CM (333 DCX1.7)

40F UPS applies to 40F-C (222 DCX), 40F-M (333 DX), and 40F-CM (333 DCX)

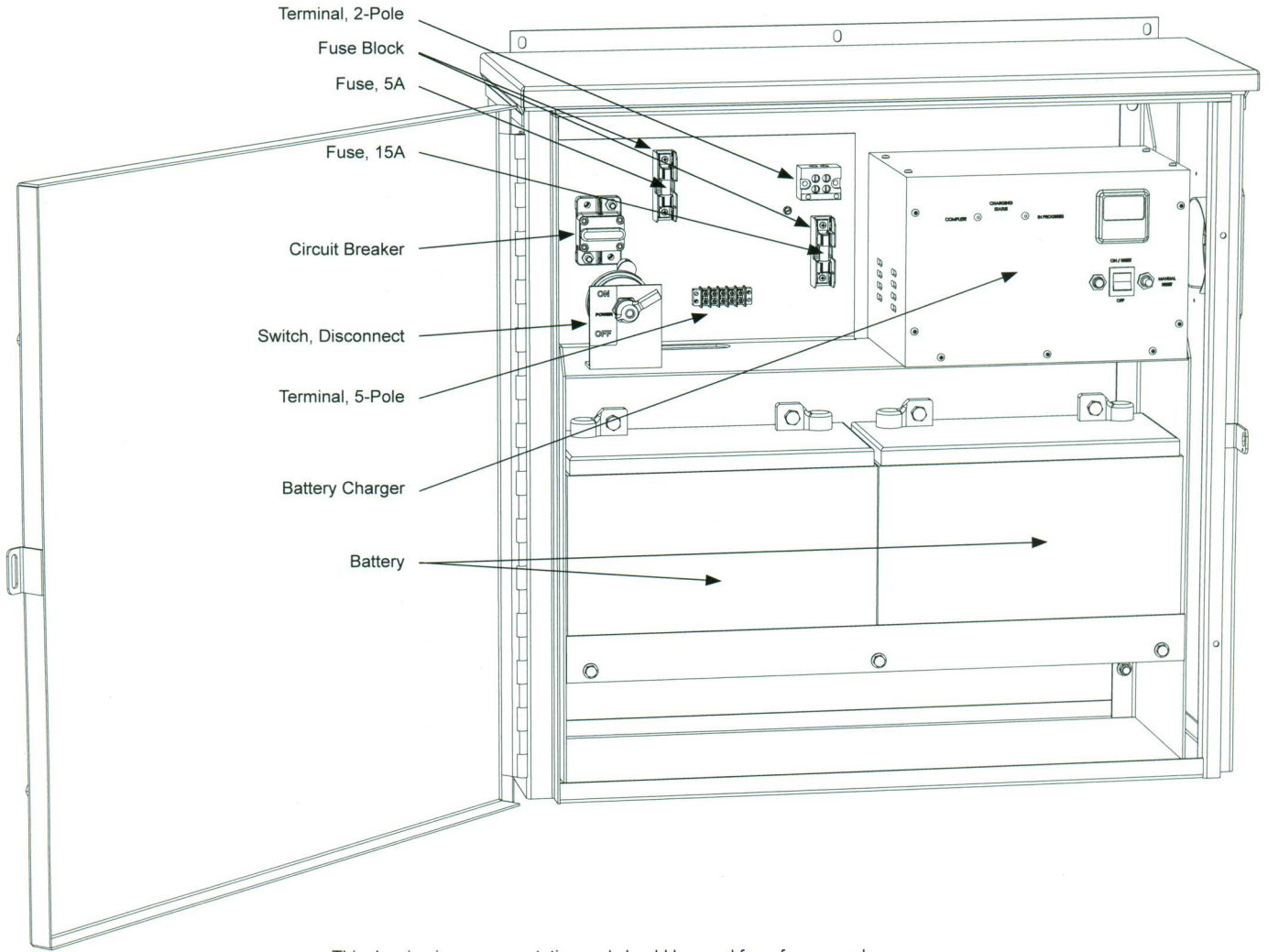
80 UPS applies to 80-C UPS (222 DCX1), 80-M UPS (333 DX1), and 80-CM UPS (333 DCX1)

Call for 50Hz motors and pump packs.

* Use MX002054 for operators manufactured after 6/1/2009, MX001650 for operators with pump packs manufactured before 6/1/2009. See website for Pump Pack Changes Tech Bulletin.



DC Power Supply



This drawing is a representation and should be used for reference only.

Part Name	Part Number	SlideDriver UPS Models (current)
Battery Charger, 60Hz, 115VAC	MX001719	115VAC, 60Hz input
Battery Charger, 60Hz, 208VAC	MX001720	208VAC, 60Hz input
Battery Charger, 60Hz, 230VAC	MX001721	230VAC, 60Hz input
Battery, 12V, 110AH, AGM	MX000877	all
Circuit Breaker, 120A DC	MX000843	all 30F UPS, 40F UPS, 80 UPS (DX1.7, DX, DX1)
Circuit Breaker, 150A DC	MX001096	200 UPS (444DX)
Circuit Breaker, 60A DC	MX000842	all 10 UPS, 40 UPS (DS, DE)
Fuse Block	MX000863	all
Fuse, 15 Amp	MX000865	all
Fuse, 5 Amp	MX000864	all
Switch, Disconnect, DC Power Supply	MX000844	all
Terminal, 2-Pole	MX000859	all
Terminal, 5-Pole	MX001270	all

Call for 50Hz battery chargers