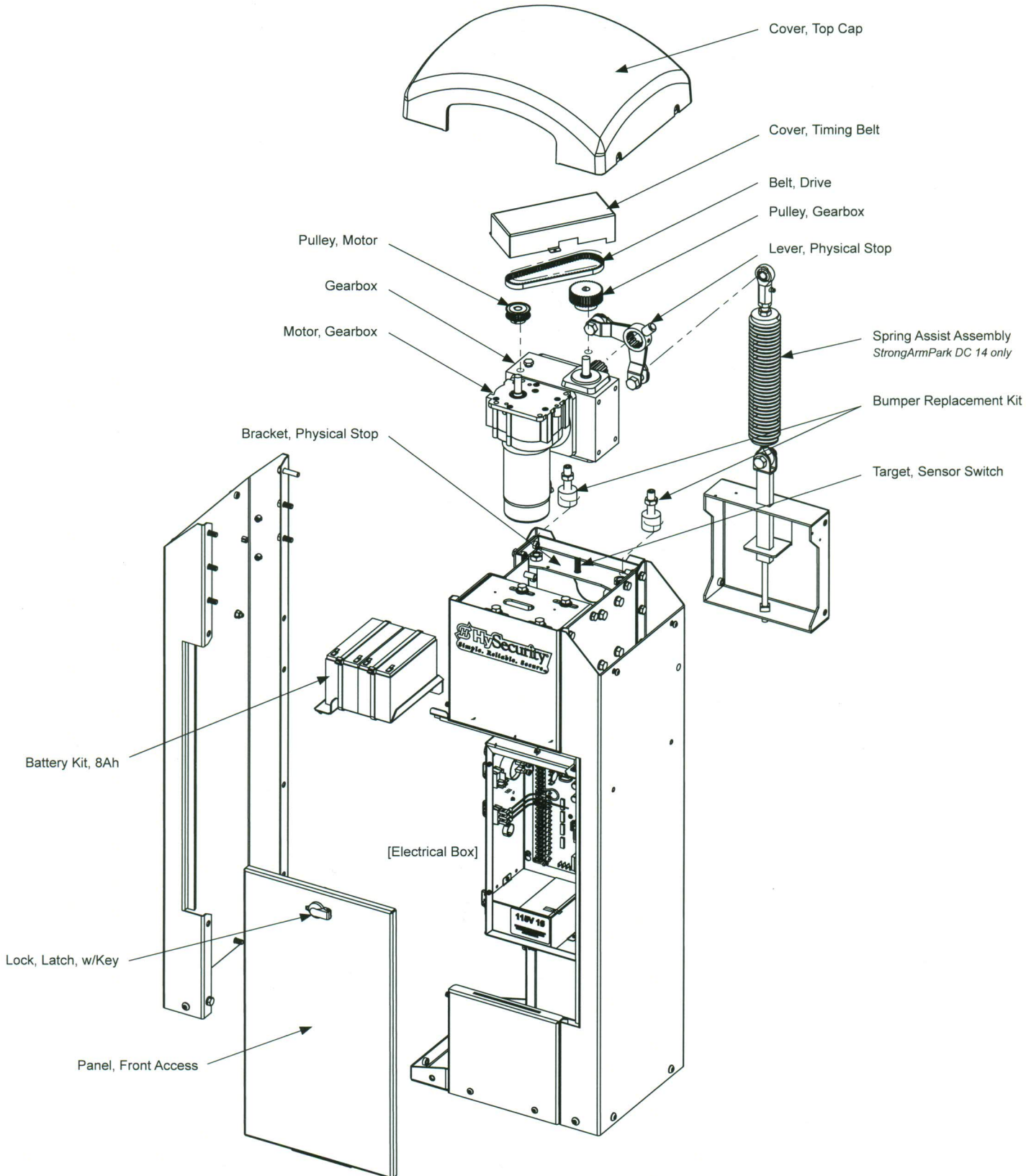




## Part Diagrams

### Chassis, Drive and Electrical



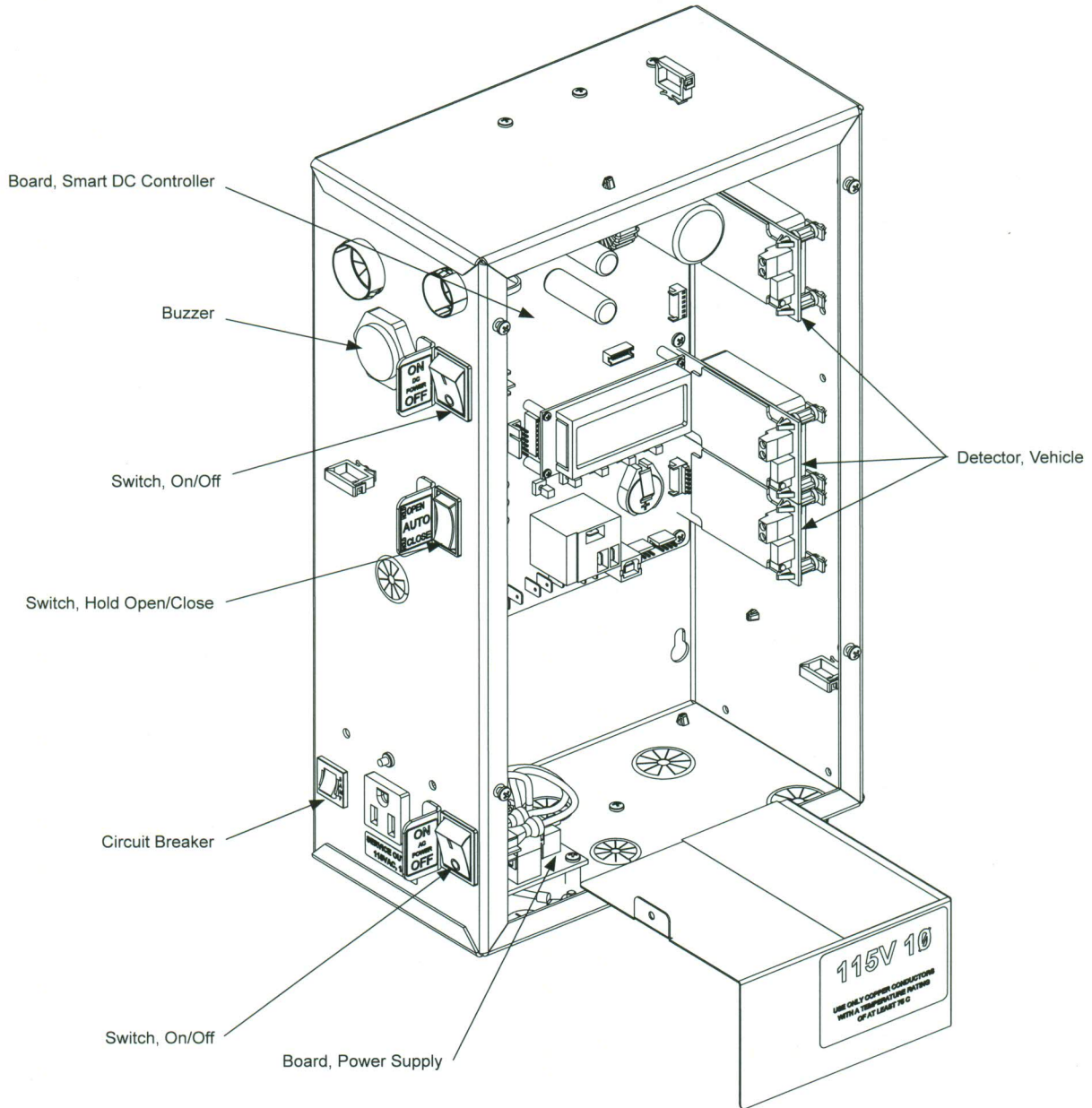
**Chassis, Drive and Electrical**

<b>Part Name</b>	<b>Part Number</b>	<b>StrongArmPark DC Models (current)</b>
Battery Kit, 8Ah, Replacement	MX002008	all
Belt, Drive, 82T	MX002789	all
Bracket, Physical Stop	MX002364	all
Bumper Replacement Kit	MX3103	all
Cover, Timing Belt	MX3048	all
Cover, Top	MX3125	all
Gearbox, StrongArmPark	MX3270	all
Lever, Physical Stop	MX3299	all
Lock, Latch, w/Key, StrongArmPark	MX002655	all
Motor, Gearbox, 24VDC	MX001996	all
Panel, Front Access	MX3292	all
Pulley, Gearbox, 36T	MX001404	all
Pulley, Motor, 24T	MX001403	all
Spring Assist Assembly	MX002390	DC14
Target, Sensor Switch	MX3219	all



## Part Diagrams

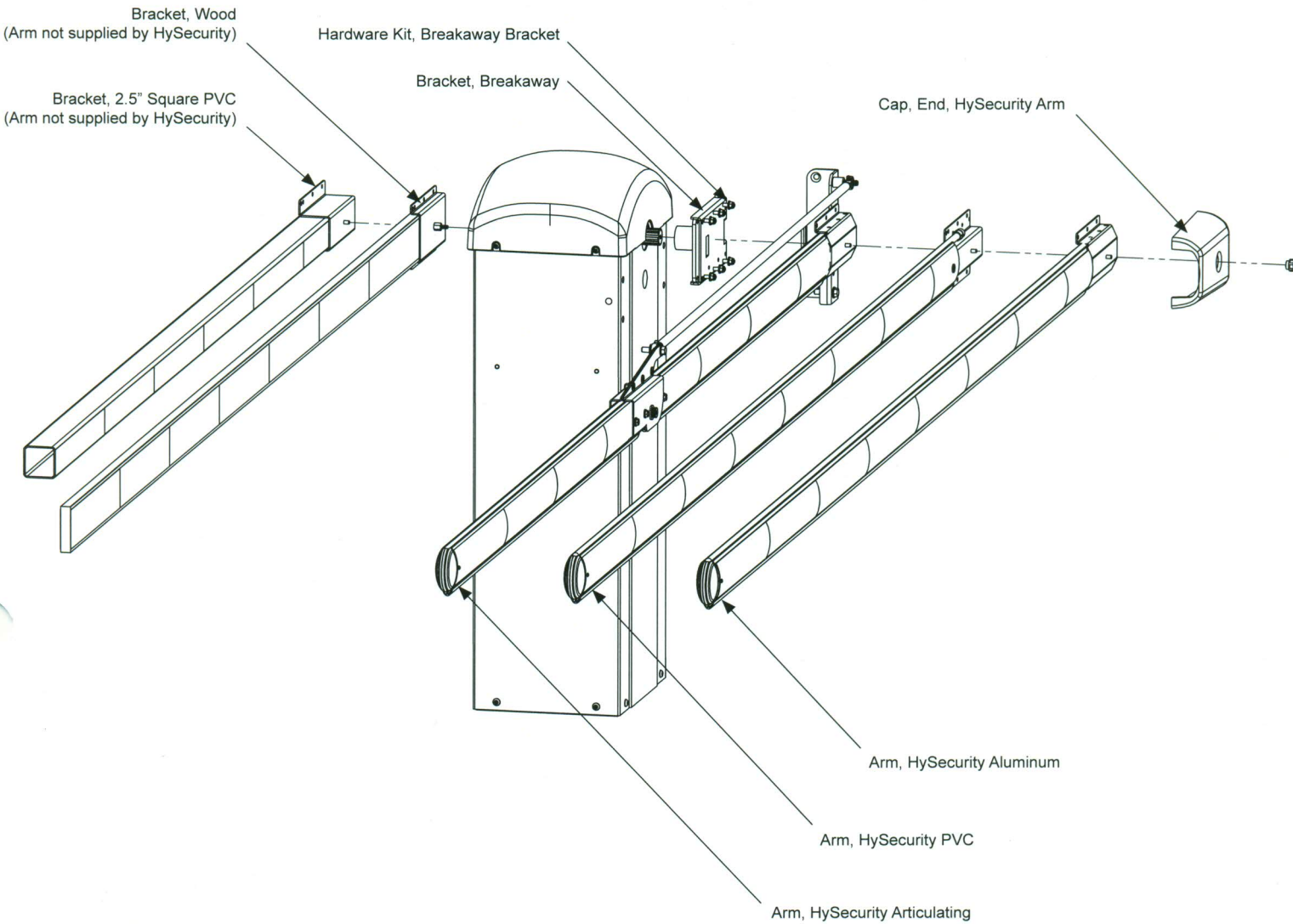
### Electrical



Part Name	Part Number	StrongArmPark DC Models (current)
Board, Power Supply, 115/230VAC	MX001766	AC only
Board, Smart DC Controller	MX3037-0	all
Buzzer, Piezo	MX001036	all
Circuit Breaker, 15 Amp	MX001760	Solar only
Circuit Breaker, 3 Amp	MX001762	AC only
Detector, Vehicle, HY-5A	MX000041	all
Switch, On/Off	MX001761	all
Switch, Hold Open/Close	MX3011	all



## Arm Hardware



Part Name	Part Number	StrongArmParkDC Models (current)
Arm, Aluminum, 10'	MX3111-10	DC10
Arm, Aluminum, 12'	MX3111-12	DC14
Arm, Aluminum, 14'	MX3111-14	DC14
Arm, Aluminum, 8'	MX3111-08	DC10
Arm, Articulating, 8' Overhead	MX3114-01	DC10
Arm, Articulating, 9' Overhead	MX3114-02	DC10
Arm, Replacement, PVC, 10	MX3110-10	DC10
Arm, Replacement, PVC, 8'	MX3110-08	DC10
Bracket, 2.5" Square PVC	MX002842	DC10
Bracket, Breakaway Arm	MX3105	all
Bracket, Wood	MX002652	DC10
Cap, End, HySecurity Arm	MX002807	all
Hardware Kit, Breakaway Bracket	MX3104	all